

## Swivel Clamp Linear Actuator Connectors

Aluminum

### SPECIFICATION

#### Types

- Type **OZ**: Without centering step (smooth)
- Type **MZ**: With centering step
- Type **AV**: With external serration
- Type **IV**: With internal serration

#### Identification no.

No. **2**: With stainless steel socket cap screw DIN 912

Aluminum

Powder coated

Black, RAL 9005, textured finish **SW**

Sleeve bearing

Plastic (PTFE)

Socket cap screws DIN 912

Stainless steel AISI 304

Hex nuts DIN 985

Stainless steel AISI 304

Self-locking via polyamide ring



### INFORMATION

Swivel clamp linear actuator connectors GN 274.1 are based on swivel clamp connectors. The additionally provided mounting holes are used to connect to the drive key of a linear actuator. Bores with the designation „G“ are equipped with sleeve bearings.

With the screw location **z**, the play of the guide bore  $d_1$  can be adjusted or the linear actuator connectors can be clamped after adjustment.

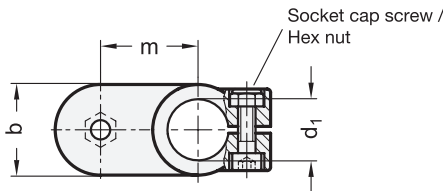
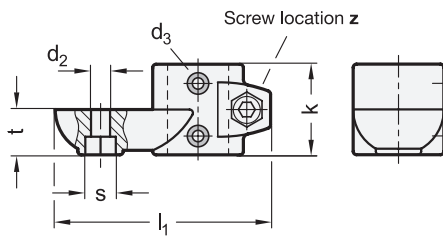
For quick clamping without tools, the socket cap screw can be replaced by an adjustable hand levers GN 911 (see page 1874) listed in the table as accessory.

### ACCESSORY

- Adjustable Hand Levers GN 911 (see page 1874)

### TECHNICAL INFORMATION

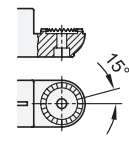
- Plastic Characteristics (see page A2)
- Stainless Steel Characteristics (see page A26)



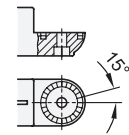
Type **OZ**



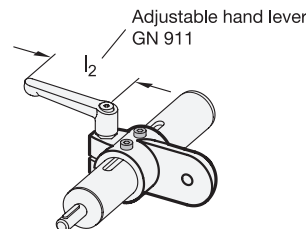
Type **AV**

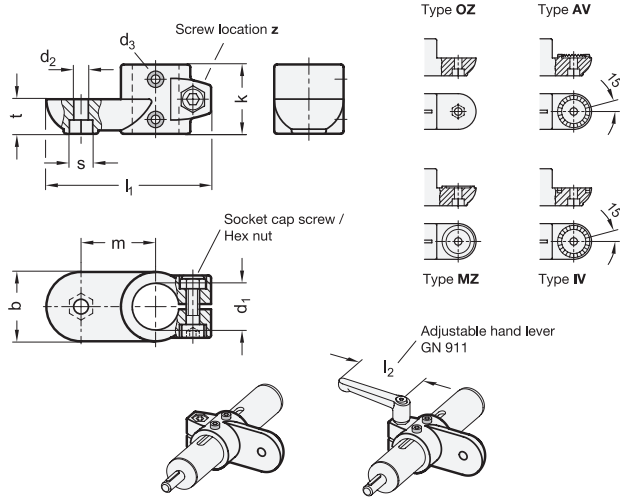


Type **MZ**



Type **IV**





### GN 274.1-OZ

Description	d1 Bore without sleeve bearing	d1 Bore with sleeve bearing	b Swivel width	d2	d3 Mounting screws on the drive key	k Clamping length	l1	m	s	t	z Screw location	Accessory Recom. hand lever GN 911 for z l2	⚖
GN 274.1-B30-OZ-2-SW	B 30	-	40	8.5	M 4	40	95	43	13	20	M8-25	63   78	145
GN 274.1-G30-OZ-2-SW	-	G 30	40	8.5	M 4	40	95	43	13	20	M8-25	63   78	130
GN 274.1-B40-OZ-2-SW	B 40	-	65	10.5	M 5	65	148	70	17	32.5	M10-50	-	700
GN 274.1-G40-OZ-2-SW	-	G 40	65	10.5	M 5	65	148	70	17	32.5	M10-50	-	670
GN 274.1-B50-OZ-2-SW	B 50	-	65	10.5	M 6	65	148	70	17	32.5	M10-50	78   92	630
GN 274.1-G50-OZ-2-SW	-	G 50	65	10.5	M 6	65	148	70	17	32.5	M10-50	78   92	580

### GN 274.1-MZ

Description	d1 Bore without sleeve bearing	d1 Bore with sleeve bearing	b Swivel width	d2	d3 Mounting screws on the drive key	k Clamping length	l1	m	s	t	z Screw location	Accessory Recom. hand lever GN 911 for z l2	⚖
GN 274.1-B30-MZ-2-SW	B 30	-	40	8.5	M 4	40	95	43	13	20	M8-25	63   78	145
GN 274.1-G30-MZ-2-SW	-	G 30	40	8.5	M 4	40	95	43	13	20	M8-25	63   78	130
GN 274.1-B40-MZ-2-SW	B 40	-	65	10.5	M 5	65	148	70	17	32.5	M10-50	-	700
GN 274.1-G40-MZ-2-SW	-	G 40	65	10.5	M 5	65	148	70	17	32.5	M10-50	-	670
GN 274.1-B50-MZ-2-SW	B 50	-	65	10.5	M 6	65	148	70	17	32.5	M10-50	78   92	630
GN 274.1-G50-MZ-2-SW	-	G 50	65	10.5	M 6	65	148	70	17	32.5	M10-50	78   92	580

### GN 274.1-AV

Description	d1 Bore without sleeve bearing	d1 Bore with sleeve bearing	b Swivel width	d2	d3 Mounting screws on the drive key	k Clamping length	l1	m	s	t	z Screw location	Accessory Recom. hand lever GN 911 for z l2	⚖
GN 274.1-B30-AV-2-SW	B 30	-	40	8.5	M 4	40	95	43	13	20	M8-25	63   78	145
GN 274.1-G30-AV-2-SW	-	G 30	40	8.5	M 4	40	95	43	13	20	M8-25	63   78	130
GN 274.1-B40-AV-2-SW	B 40	-	65	10.5	M 5	65	148	70	17	32.5	M10-50	-	700
GN 274.1-G40-AV-2-SW	-	G 40	65	10.5	M 5	65	148	70	17	32.5	M10-50	-	670
GN 274.1-B50-AV-2-SW	B 50	-	65	10.5	M 6	65	148	70	17	32.5	M10-50	78   92	630
GN 274.1-G50-AV-2-SW	-	G 50	65	10.5	M 6	65	148	70	17	32.5	M10-50	78   92	580

### GN 274.1-IV

Description	d1 Bore without sleeve bearing	d1 Bore with sleeve bearing	b Swivel width	d2	d3 Mounting screws on the drive key	k Clamping length	l1	m	s	t	z Screw location	Accessory Recom. hand lever GN 911 for z l2	⚖
GN 274.1-B30-IV-2-SW	B 30	-	40	8.5	M 4	40	95	43	13	20	M8-25	63   78	145
GN 274.1-G30-IV-2-SW	-	G 30	40	8.5	M 4	40	95	43	13	20	M8-25	63   78	130
GN 274.1-B40-IV-2-SW	B 40	-	65	10.5	M 5	65	148	70	17	32.5	M10-50	-	700
GN 274.1-G40-IV-2-SW	-	G 40	65	10.5	M 5	65	148	70	17	32.5	M10-50	-	670
GN 274.1-B50-IV-2-SW	B 50	-	65	10.5	M 6	65	148	70	17	32.5	M10-50	78   92	630
GN 274.1-G50-IV-2-SW	-	G 50	65	10.5	M 6	65	148	70	17	32.5	M10-50	78   92	580

